

4 3 2 1

F

F

E

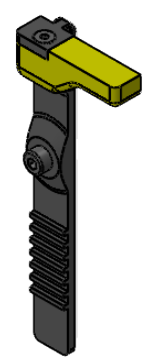
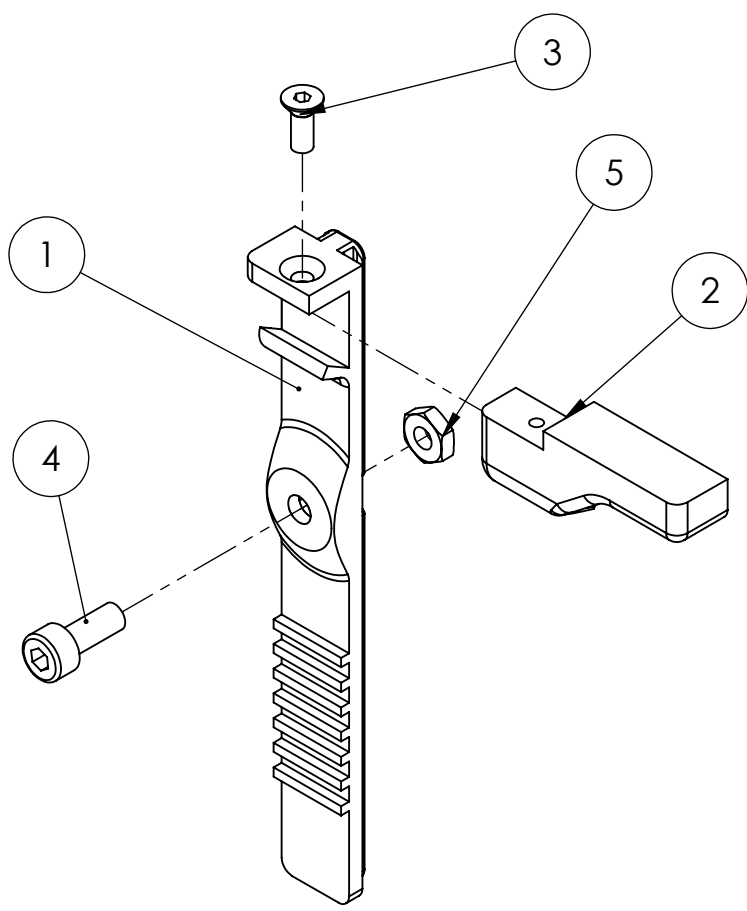
E

D

D

C

C



B


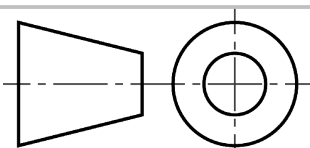
B

ITEM NO.	PART NUMBER	DESCRIPTION	QTY.
1	Z007-Zprobe part 2 - vormvrij-R2		1
2	Z007-Zprobe part 1 - vormvrij		1
3	IZV_3-8		1
4	IZ_4-10		1
5	IM_4		1

UNLESS OTHERWISE SPECIFIED: DIMENSIONS ARE IN MILLIMETERS
 FINISH: DEBURR AND BREAK SHARP EDGES
 DO NOT SCALE DRAWING REVISION

A

A

NAME:	DATE:	WEIGHT:	TITLE:
DRAWN:	4-6-2019		Z007-Zprobe - vormvrij
			
Vormvrij 3D, Dorpsstraat 23, Afferden		DWG NO.:	A4
SCALE: 1:1		SHEET 1 OF 1	

4 3 2 1